

# DELTA PACK

## PISTON PUMP - SYSTEM



### Versatile kit

The Delta Pack is a complete kit intended for wall mounted air conditioning units up to 5.6 tons (67 kBtu - 20 kW), including a Si-10 pump. The piston technology of the Si-10 is specifically designed for removing condensates from air conditioning systems. The pump is fully reliable, in any kind of environment. Its operating sound level will remain silent whatever the volume of condensates.

### BENEFITS



#### • « Sauerermann inside » : new piston, patented technology

- **Increased performance** – the Si-10 replaces the SI1102 (10l/h).
- **High resistance to pollution** created by general environment. Capable of discharging small particles.
- **Proven reliability.**

#### • Silent

- Quiet in operation: **23 dBA independently tested.**
- The size of the air-conditioning unit and volume of condensates to be removed does not affect the operational sound level of the pump.
- Mounting bracket specifically designed to **reduce vibration transmission** to the wall or panel.

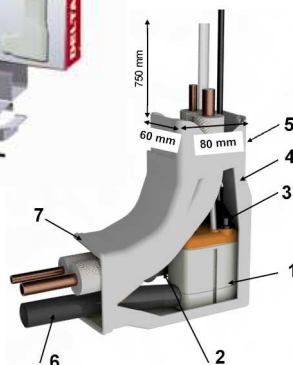
#### • Easy to install

- Bracket mounted **directly on the wall** (no template, only 2 screws).
- **Easy Installation** of the pump: horizontal insertion by the front.
- 1 monobloc elbow. **Reversible mounting** (right & left of the AC unit).
- Large room for routing insulated copper tubing (max recommended pipe size: 5/8" - 3/8" insulated).
- **Plug-in power cord** to make maintenance and replacement hassle free.

#### • Energy saving

Improved performance and high flow rate **reduce operation time** and energy consumption.

### KIT CONTENTS



1. Si-10 Piston pump with Integrated float detection unit
  2. Anti-vibrating reversible mounting bracket
  3. Plug in power cable with 2 safety switch wires (5ft - 1,5 m)
  4. Pump cover (flat bend)
  5. 30" (750mm) of duct model **3"5/32 x 2"3/8** (80x60mm)
  6. 20" (500mm) of rubber tube Øint. 19/32" (15 mm)
  7. Rubber Joint for junction to the A/C unit
- Ceiling duct cover
  - 3 tie-wraps
  - 4 screws + 4 rawl plugs + 2 washers
  - Vent tube Øint. 5/32" x L 2"15/16 (Øint. 4 x L 75 mm)

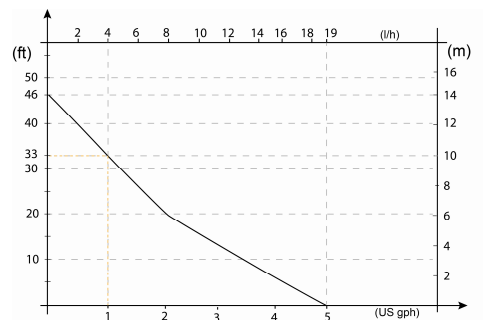
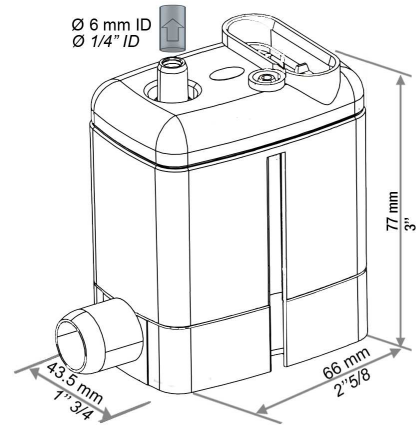
## APPLICATIONS

For use with wall mounted air-conditioning units,  
up to 5.6 tons (67 kBtu - 20 kW)



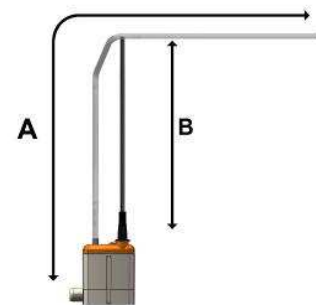
## TECHNICAL SPECIFICATION

<b>Max. flow rate</b>	<b>5.0 gph (19 l/h)</b>
Max. discharge head	33ft (10 m); flow rate= 1gph (4l/h)
Max pressure	46 ft (14 m); flow rate = 0 gph (0l/h)
<b>Sound level at 3.3ft (1m)</b> according to EN ISO 3744 (Measured at LNE lab, pump operating with water, out of application)	<b>23 dBA</b>
Sound level in application at 3.3ft (1m) (Measured in Sauer mann acoustic lab, pump operating with water)	≤ 28 dBA
Mains supply	120V ~ 60 Hz - 14 W (DP1000SIUS11) 230 V ~ 50/60 Hz - 14 W (DP1000SIUS23)
Insulation class	<input type="checkbox"/> (double insulation)
Detection levels	On:23/32" Off :15/32" Al :13/16" (On=18mm, Off=12mm, Alarm=21mm)
Safety switch	NC 8 A resistive - 250 V
Thermal protection (overheating)	194°F (90°C) auto-reset
Intermittent operation cycle	30%: 3s ON – 7s OFF
Protection	IP54
Safety standards	UL/CSA certified by Intertek
RoHS directive	Compliant
DEEE directive	Compliant
Cover dimensions	L 6"1/2 x W 6"1/2 x H 2"3/8 L 165 x W 165 x H 60 mm
Duct Dimensions	L 30" x W 3" 5/32 x H 2"3/8 L 750 x W 80 x H 60 mm
Delta Pack Packaging	3.3 lbs (1.5 kg) - L 30"1/4 x W 7"9/32 x H 2"3/4 - L 770 x W 185 x H 70 mm
Masterpack	boxes of 10pcs (9 boxes per pallet) L 31"1/2 x W 15" x H 14"3/16 L 800 x W 380 x H 360 mm

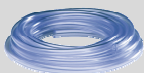


## ACTUAL FLOW RATES (in gph)

Discharge head (B)	Total tube length using 1/4" (6 mm) hose (A)			
	15 ft	30 ft	60 ft	100 ft
0 ft	5.0	4.7	4.5	4.2
6 ft	4.2	3.9	3.7	3.5
13 ft	3	2.9	2.8	2.6
20 ft		2.5	2	1.7
26 ft		1.6	1.3	1.1
33 ft		1.1	0.9	0.7



## RECOMMENDED ACCESSORIES



**ACC 00105, ACC 00150**  
Clear PVC hose, Øint 1/4" (6mm)  
ACC 00105 : 16 ft (5m)  
ACC 00150 : 164 ft (50m)  
ACC 00151 : reinforced, 164 ft (50m)



**ACC 00205**  
6 self-sealing fittings  
Øext. 1/4" (6mm)



**ACC 00214**  
5 fittings to  
prevent  
siphoning